



PALFINGER TAIL LIFTS

NEW ZEALAND PRODUCT RANGE UPDATE DEC 2024



Palfinger offers a comprehensive range of high-performance tail lifts to the New Zealand market.

Palfinger delivers a product that is synonymous with the outstanding quality of the Palfinger name along with decades of experience in tail lift development and market leadership.



THE INDUSTRY STANDARD IN NZ & COUNTRIES WORLDWIDE

PROVEN IN ALL CONDITIONS

LEADING SUPPORT

NEW ZEALAND WIDE SERVICE NETWORK



MBB Palfinger
Features & Benefits 3



MBB C 500 VAN 6



FTK 600 E 8



MBB C 750 L 10



MBB C 1000 L 12



MBB C 1500 L 14



MBB F 1500 L 16



MBB C 2000 L 18



MBB R 2000 L 20



MBB C 3000 S 22



MBB V 500 LQ 24



MBB V 1000 LQ 26

© 2024 Palfinger NZ. The illustrations, information and specifications contained within this catalogue remain the property of Palfinger NZ. No part of this catalogue may be reproduced in whole or in part without prior approval from Palfinger NZ. While all care has been taken by all persons involved in the compiling and production of this catalogue, no responsibility for errors, omissions or variations will be accepted. Amendments and errors reserved. Photography, descriptions and references are subject to change without prior warning.

FEATURES & BENEFITS

Manufactured in-house

The hydraulic cylinder is one of the most important parts of a tail lift. That's why we only trust one supplier - ourselves! We manufacture around 65,000 cylinders per annum to meet demand.



Powerful, reliable ...

Power opening and power closure using dual-acting hydraulic cylinders. Therefore not relying on spring force or gravity alone – so the platform opens and shuts easily even on the steepest of inclines.



... and safe!

Every cylinder is fitted with flow control valves which safely control the descent of a fully loaded platform, even in the event of a burst hose in the hydraulic circuit.



Easy to maintain

The powerpack is housed in the main beam, out of harms way, and is easily pulled out for inspection and maintenance. In addition, noise from the hydraulic pump is greatly reduced when the lift is being used in residential areas or at night.



FEATURES & BENEFITS



A good greasing ...

Our chromium-free pivot pins are solid and not weakened by lubrication holes. 12 grease nipples for the bearings are located on the exterior of the cylinder ends to ensure direct delivery of grease to the bearings.



... for smooth operation!

A series of evenly-distributed lubrication holes guarantee an even application of grease.



Controls

Standard with 3 button fixed control and 3 button Wanderlead control giving full operational functionality in any situation.



For your safety: LED warning lights

Using the latest LED technology (EN 1756-1) our platform-mounted flashing warning lights operate when the lift is being used, ensuring the lift is fully visible at all times from the rear and from the side, providing additional safety.

FEATURES & BENEFITS

Keeping your load safe

Our platform roll stops (standard on most models) are simple to operate, robust and reliable, protecting your load whilst travelling on the platform. And what's more - they can be retrofitted! (except for AluLite 750 kg).



K-plus: Speedy diagnostic fault finding

Fully electronic with sensor control and electronic memory functions. In the event of lift or component failure, the diagnostic software enables the service engineer to rapidly identify the problem reducing lift downtime and repair costs.



'Intelligent' foot controls (option)

Our 'Intelligent' foot controls are able to distinguish between contact with the operator's foot and the load! Should goods be resting on the foot controls the lift remains static.



Platform

The high-strength extended aluminium platform design provides the strength of steel without the weight penalty by using plasma welding technology included with non-slip grooves. Dimensions can be modified on request (conditions apply).



MBB C 500 VAN

500 kg LIFTING CAPACITY

THE COMPACT TAIL LIFT FOR VANS



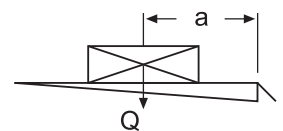
- Individual installation kits for all common van types
- Fast, simple attachment
- Optimum relationship between lifting capacity and weight
- Removable ball-head coupling optionally available
- With aluminium platform
- Equipped with a roll stop (900mm) and bridging plate as standard
- Also available as a half-sized platform (800mm)

Available for

- Mercedes-Benz Sprinter
- Volkswagen Crafter 30/35/50
- Iveco Daily
- LDV
- Further vehicle types on request

LOAD DIAGRAM

a (mm)	Q (kg)
600	500
700	430
820	360
1,120	260

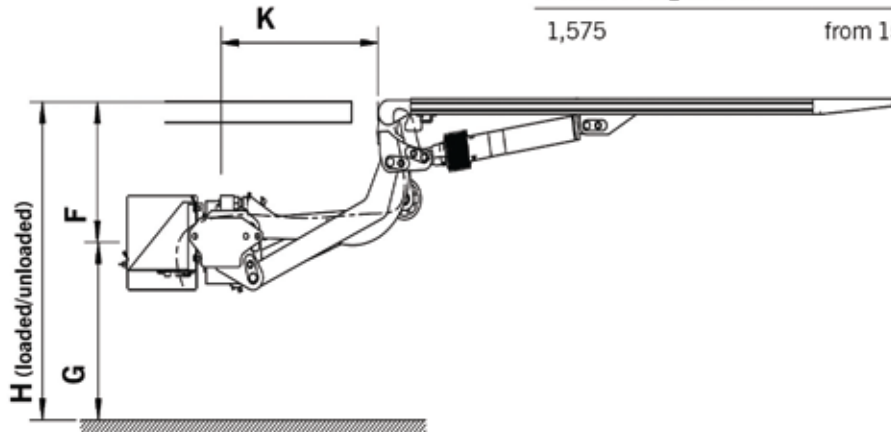


WEIGHTS

Aluminium platform type

Platform width (mm) 1,400

Platform height (mm)
1,575 from 151 kg



DIMENSIONS

Lifting arm lengths (mm)	500
H (max.) loading height, unloaded	780
H (min.) loading height, loaded	450
F (max.) middle of main beam to upper edge of loading floor	340
K (min.) at dimension F (max.)	546
D (min.) installation dimension, minimum	729
F (min.)	-
K (max.) at dimension F (min.)	-
D (max.) installation dimension, maximum	-

TECHNICAL DATA

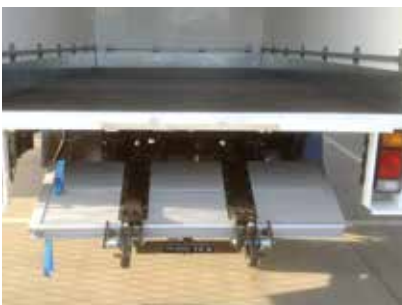
Type	MBB C 500 VAN
Lifting capacity	500 kg
Main beam	110 x 110 mm
Lifting gear hydraulics	1 lifting cylinder / 1 tilting cylinder
Platform overlap with floor	-
Lifting arm pitch	600 mm
Load centre, longitudinal	600 mm
Load centre, across centre	Central, 50% of rated load on one side
Inclination angle of the platform	+90° to -10°

FTK 600 E

600 kg LIFTING CAPACITY
LIGHT-WEIGHT, EASY TO FIT

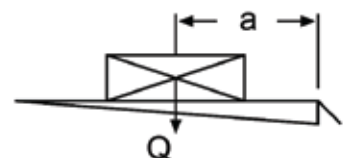


The FTK 600 E is a compact tail lift with a foldable platform and a loading capacity of up to 600kg. This results in an optimal weight-to-capacity ratio. The low weight is achieved with an aluminium platform and innovative design. The folding platform stows under the vehicle chassis and is simple to operate and quick to install. Comes standard with mechanical auto-levelling for increased stability when lifting larger loads.



LOAD DIAGRAM

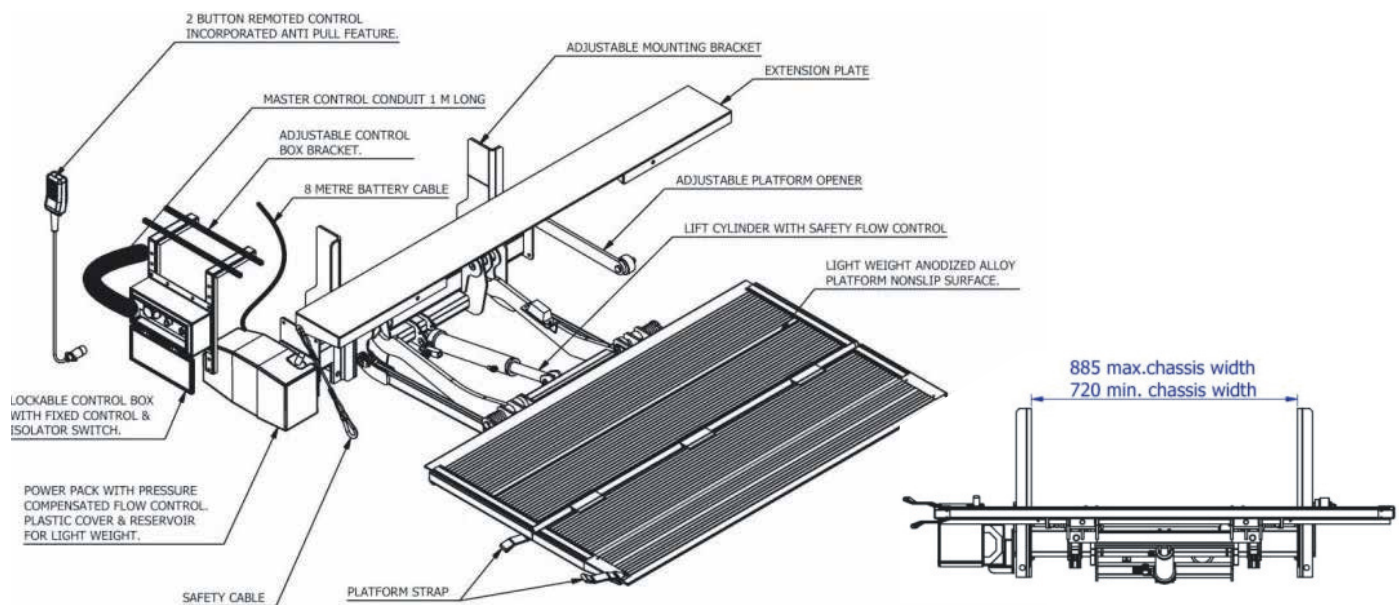
a (mm)	Q (kg)
500	600



TECHNICAL INFORMATION

TECHNICAL DATA

Lift Capacity	600kg
Nominal Platform Size	1530mm W x 950mm L
Platform Finish & Construction	Anodised 2 piece single fold extruded aluminum alloy
Load Centre	500mm
Nominal Unit Weight Installed	150kg (Extension plate built into truck floor). 180kg (Extension plate added to vehicle)
Nominal Centre Of Gravity Of Unit When Stowed	340mm
Nominal Fitting Requirements	1100mm maximum floor height unloaded 800mm minimum floor height loaded
*Subject To Vehicle Type & Floor Height	*800mm min. underbody clearance for 800mm floor height *720mm min. underbody clearance for 1100mm floor height
Adds To Vehicle Length	N/A (0mm) for extension plate built in as part of body length 205mm for extension plate added to body length
Battery Isolation Switch	Yes
Controls	Removable IP65 rated two (2) button hand control c/w 2.75m lead plus fixed controls in lockable weather-proof metal box
Lifting Operation	Power up / gravity down – automatic levelling at ground
Speed Down	Adjustable flow control factory pre-set to maximum 100mm/sec complete with velocity fuse
Closing / Opening Operation	Manual (torsion spring assisted opening and closing)
Platform Stowed Lock	Manual cable & hasp
Low Maintenance Bushes	Yes
Pins	Zinc plated Ø25 mm dia. high grade bar
Hydraulic Power Pack	Heavy duty 0.8kw in weather-proof noise dampening enclosure



Some of the tail lifts pictured feature special customer-specific equipment. Country-specific regulations must be considered for the tail lift installation. Dimensions may vary. Subject to technical changes, errors & translation mistakes.



MBB C 750 L

ROBUST AND LIGHT

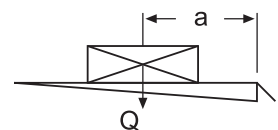
THE 2-CYLINDER TAIL LIFT



- 750 kg lifting capacity
- 2-cylinder lifting gear
- Bolted mounting plates
- Robust and light
- Specially designed for vehicles up to 6,5 t

LOAD DIAGRAM

a (mm)	Q (kg)
600	750
700	650
820	550
1,120	400



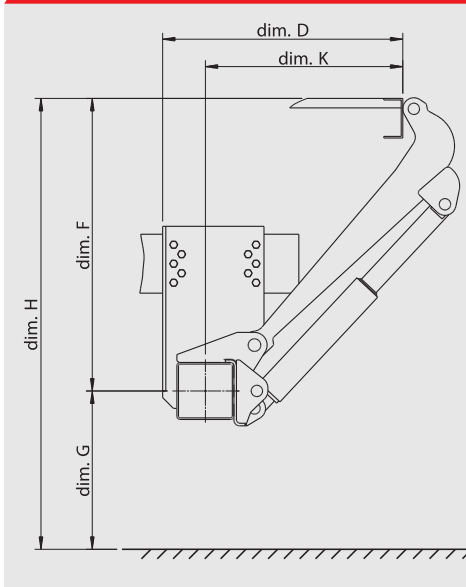
WEIGHT

Platform Type	depth (mm)	width (mm)	weight (kg)
Alum.	1450	2200	from 203

TECHNICAL DATA

	MBB C 750 L
Lifting capacity	750 kg
Main beam	120 x 120 mm
Lifting gear hydraulics	1 x lift cylinder 1 x tilt cylinder
Platform overlap with floor	- 57 mm
Lift arm pitch	620 mm
Load centre - longitudinal	600 mm
Load centre - lateral	50% of the full load on one side
Inclination angle of the platform	+ 90° to- 10°

DIMENSIONS



Lift arms (in mm)	600
H (max.) loading height unloaded	1080
H (min.) loading height loaded	680
F (max.) middle of main beam to upper edge of loading floor	580
K (min.) at dimension F (max.)	443
D (min.) installation space	565
F (min.)	420
K (max.) at dimension F (min.)	578
D (Max.) installation space (max.)	700
G (max.) unloaded (middle of main beam to ground)	500
G (min.) loaded	260

MBB C 1000 L

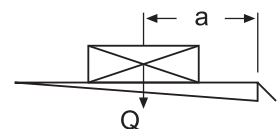
PROVEN AND RELIABLE
WITH OPTIMISED WEIGHT



- Particularly suitable for lightweight and medium-weight distribution transport
- 1,000 kg lifting capacity with 600 mm load distance
- Weight-optimised tail lift with four cylinders
- Approval of underride guard for maximum permissible weight of 12 t
- Equipment with aluminium platform
- Two different lifting arm lengths and lifting arm pitches available

LOAD DIAGRAM

a (mm)	Q (kg)
600	1000
750	800
950	600
1,400	400



TECHNICAL INFORMATION

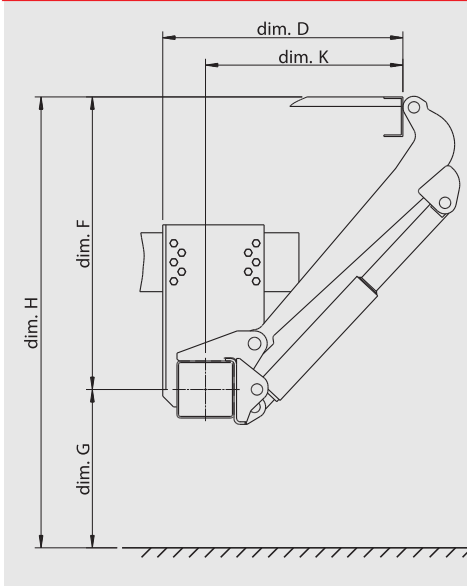
WEIGHT

Platform Type	height (mm)	width (mm)	weight (kg)
Alum.	2000	2400	295

TECHNICAL DATA

	MBB C 1000 L
Lifting capacity	1000 kg
Main beam	180 x 180 mm
Lifting gear hydraulics	2 x lift cylinder 2 x tilt cylinder
Platform overlap with floor	- 44 mm
Lift arm pitch	1100 mm
Load centre - longitudinal	600 mm
Load centre - lateral	50% of the full load on one side
Inclination angle of the platform	+ 90° to- 10°

DIMENSIONS



Lifting arm lengths (in mm)	700
H (max.) loading height, unloaded	1210
H (min.) loading height, loaded	830
F (max.) middle of main beam to upper edge of loading floor	650
K (min.) at dimension F (max.)	592
D (min.) installation dimension, minimum	742
F (min.)	500
K (max.) at dimension F (min.)	721
D (max.) installation dimension, maximum	871
G (max.)	330
G (min.)	560

MBB C 1500 L

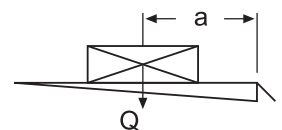
PRACTICAL AND EFFICIENT
WITH OPTIMISED WEIGHT



- The lightweight tail lift for a high load capacity
- 1,500 kg lifting capacity with 600 mm load distance
- Four-cylinder lifting mechanism with three lifting arm lengths from 700 to 900mm
- Design with aluminium or steel platform
- Wide range of special equipment available

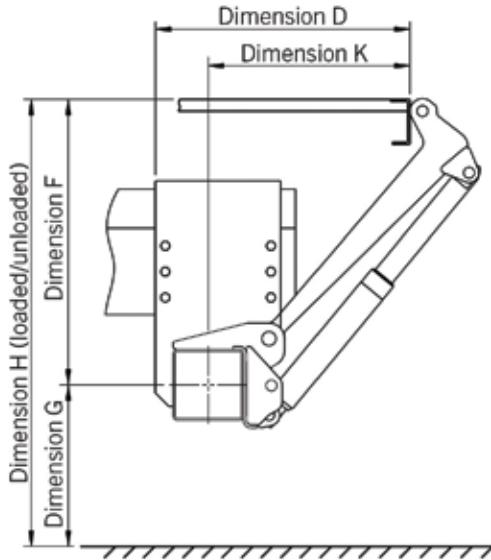
LOAD DIAGRAM

a (mm)	Q (kg)
600	1500
720	1250
900	1000
1,200	750



TECHNICAL INFORMATION

MBB C 1500 L



WEIGHTS

Aluminium platform type	
Platform width (mm)	2,450
Platform height (mm)	
2,200	405 kg
2,400	415 kg
Steel platform type	
Platform width (mm)	2,500
Platform height (mm)	
1,509	510 kg
1,809	570 kg

DIMENSIONS

Lifting arm lengths (mm)	900	700
H (max.) loading height, unloaded	1546	1,256
H (min.) loading height, loaded	998	906
F (max.) middle of main beam to upper edge of loading floor	894	728
K (min.) at dimension F (max.)	627	515
D (min.) installation dimension, minimum	777	665
F (min.)	625	529
K (max.) at dimension F (min.)	886	710
D (max.) installation dimension, maximum	1036	860

TECHNICAL DATA

Type	MBB C 1500 L
Lifting capacity	1,500 kg
Main beam	180 x 180 mm
Lifting gear hydraulics	2 lifting cylinders / 2 tilting cylinders
Platform overlap with floor	-57 mm
Lifting arm pitch	1,310 mm
Load centre, longitudinal	600 mm
Load centre, across centre	Central, 50% of rated load on one side
Inclination angle of the platform	+90° to -10°



MBB F 1500 L

THE FOLDABLE TAIL LIFT

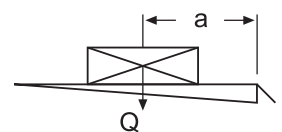
WITH 1500 KG LIFTING CAPACITY



- The tail lift for variable applications in distribution transport with different loading requirements
- 1,500 kg lifting capacity with 600 mm load distance
- Two lifting cylinders with reinforced parallel beams
- All-aluminium platform for easy folding and unfolding
- Three-piece underride guard
- Also available without rear-end section (RS) for refrigerated vehicle body applications
- Large selection of special equipment available

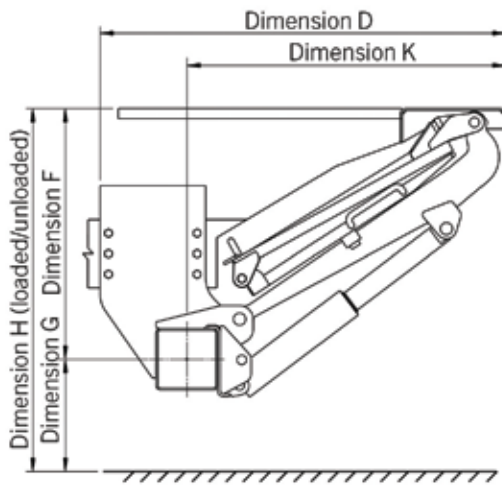
LOAD DIAGRAM

a (mm)	Q (kg)
600	1500
720	1250
900	1000
1,200	750



TECHNICAL INFORMATION

MBB F 1500 L



WEIGHTS

Aluminium/aluminium platform type	
Platform width (mm)	2,030
Platform height (mm)	1,200
	299 kg

DIMENSIONS

Lifting arm lengths (mm)	900 with RS
H (max.) loading height, unloaded	1455
H (min.) loading height, loaded	1085
F (max.) middle of main beam to upper edge of loading floor	815
K (min.) at dimension F (max.)	841
D (min.) installation dimension, minimum	K + 340
F (min.)	685
K (max.) at dimension F (min.)	958
G (max.) unloaded (middle of main beam to ground)	640
G (min.) loaded	400
E (max.) vehicle frame width (max.)	980
E (min.) vehicle frame width (min.)	650

TECHNICAL DATA

Type	MBB F 1500 L	
Lifting capacity	1,500 kg	
Main beam	180 x 180 mm	
Lifting gear hydraulics	2 lifting cylinders	
Lifting arm pitch	1310 mm	
Load centre, longitudinal	600 mm	
Load centre, across centre	Central, 50% of rated load on one side	
Inclination angle of the platform	+8° to -8°	



MBB C 2000 L

GREATER TRANSPORT CAPACITY

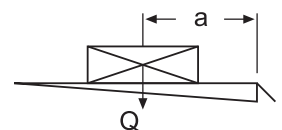
FEWER COSTS

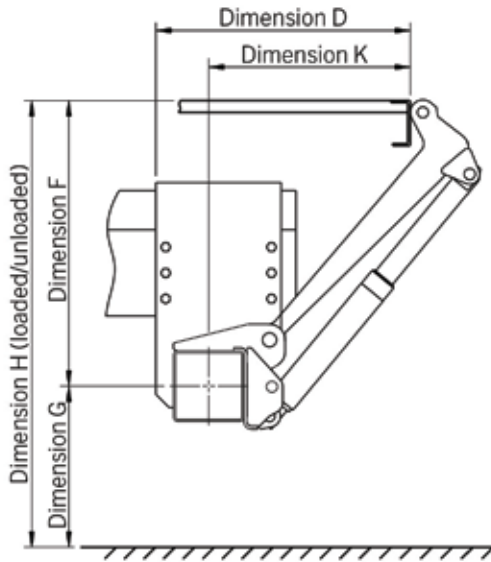


- Optimum ration of dead weight to payload = greater transport capacity
- Lifting capacity of 2,000 kg with 750 mm load distance
- Variable lifting mechanism with five available lifting arm lengths for all common attachment solutions
- Design with aluminium or steel platform
- Wide range of options and equipment variants

LOAD DIAGRAM

a (mm)	Q (kg)
750	2,000
900	1,650
1,100	1,300
1,600	950
2,400	600





WEIGHTS

Aluminium platform type

Platform width (mm) 2,450

Platform height (mm)

2,500 550 kg*

2,750 580 kg*

*Approx. weights

DIMENSIONS

Lifting arm lengths (mm)	900	1,100
H (max.) loading height, unloaded	1,548	1,793
H (min.) loading height, loaded	1,006	1,023
F (max.) middle of main beam to upper edge of loading floor	924	1,056
K (min.) at dimension F (max.)	623	783
D (min.) installation dimension, minimum	773	933
F (min.)	614	608
K (max.) at dimension F (min.)	907	1,132
D (max.) installation dimension, maximum	1,057	1,282

TECHNICAL DATA

Type	MBB C 2000 L
Lifting capacity	2000 kg
Main beam	180 x 180 mm
Lifting gear hydraulics	2 lifting cylinders / 2 tilting cylinders
Platform overlap with floor	-63 mm
Lifting arm pitch	1,300 mm
Load centre, longitudinal	750 mm
Load centre, across centre	Central, 50% of rated load on one side
Inclination angle of the platform	+90° to -10°



MBB R 2000 L

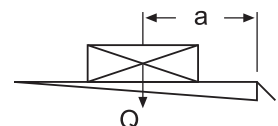
THE SPECIAL RETRACTABLE TAIL LIFT FOR MOTOR VEHICLES



- Lifting capacity 1,500/2,000 kg with four cylinders and 750/1,000 mm load distance
- Simple-fold platform
- Specially designed for installation on motor vehicles
- Optimal adaptation for different frame widths of 750 - 865 mm
- Steel/aluminium platform design
- Spring-supported folding section
- Platform housing serves as underride guard
- Powerful cylinder for horizontal positioning of the tail lift
- Compact design thanks to a torsion-resistant steel moving frame, pre-assembled end beam and welded brackets
- Control box holder for installation on the moving unit

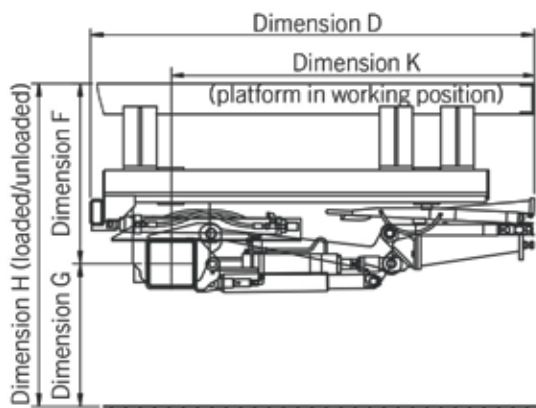
LOAD DIAGRAM

a (mm)	Q (kg)
750	2,000
900	1,650
1,100	1,300
1,600	950



TECHNICAL INFORMATION

MBB R 2000 L



WEIGHTS

Aluminium/aluminium platform type

Platform width (mm) 2,400

Platform height (mm)

1,805 615 kg

WEIGHTS

Steel/aluminium platform type

Platform width (mm) 2,400

Platform height (mm)

1,800 648 kg

DIMENSIONS

Lifting arm lengths (mm)	800
H (max.) loading height, unloaded	1,428
H (min.) loading height, loaded	916
F (max.) middle of main beam to upper edge of loading floor	817
K (min.) at dimension F (max.)	601
D (min.) installation dimension, minimum	1,870
F (min.)	566
K (max.) at dimension F (min.)	820
G (max.) unloaded (middle of main beam to ground)	611
G (min.) loaded	350
E (max.) vehicle frame width (max.)	866
E (min.) vehicle frame width (min.)	752

TECHNICAL DATA

Type	MBB R 2000 L TRUCK	
Lifting capacity	2,000 kg	
Main beam	180 x 180 mm	
Lifting gear hydraulics	2 lifting cylinders / 2 tilting cylinders / 1 moving cylinder	
Lifting arm pitch	1,300 mm	
Load centre, longitudinal	750 mm	
Load centre, across centre	Central, 50% of rated load on one side	
Inclination angle of the platform	+10° to -10°	



MBB C 3000 S

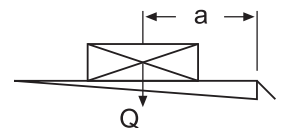
MOST POWERFUL LIFT IN THE RANGE

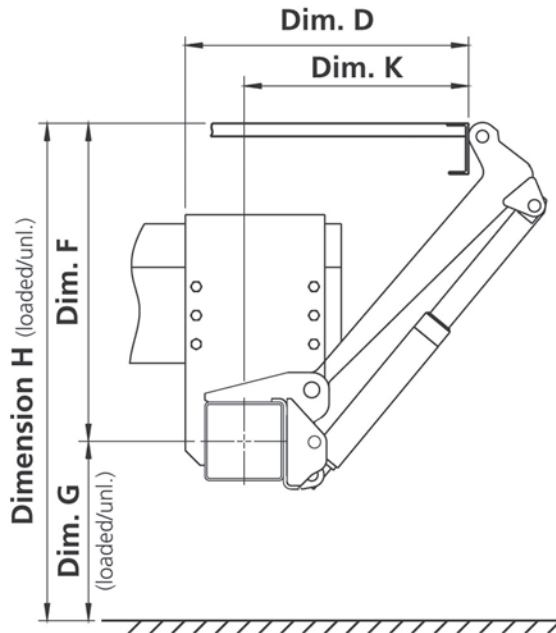


The 2500 / 3000 K lifts have been cleverly designed to provide exceptionally stable four-cylinder lifts capable of lifting goods up to 3000 kg, making them ideal for the transportation of motor vehicles and computerised products. Available with either steel or aluminium platforms with a load centre of 1000 or 1200 mm. Optional hydraulic stabiliser jacks provide additional load stability. A powerful, low-noise power pack in the square main beam reduces noise during loading or unloading to a minimum.

LOAD DIAGRAM

a (mm)	Q (kg)
1000	3000
1200	2500
1500	2000
1800	1650
2400	1250





WEIGHTS

Platform type	Alum.
Platform width (mm)	2450
Platform height (mm)	
2200	737 kg
2400	780 kg
2600	823 kg
Adds to vehicle (mm)	275*

Platform type	Steel
Platform width (mm)	2450
Platform height (mm)	
2209	948 kg
2409	980 kg
2609	1001 kg
Adds to vehicle (mm)	275*

* Does not include seal kit or pressing

DIMENSIONS

MBB C 3000 S		
Lift arms (in mm)		900
H (max.)	Loading height unloaded	1554
H (min.)	Loading height loaded	1030
F (max.)	Middle of main beam to upper edge of loading floor	924
K (min.)	At dimension F (max.)	654
D (min.)	Installation space (min.)	809
F (min.)		645
K (max.)	At dimension F (min.)	901
D (max.)	Installation space (max.)	1056

TECHNICAL DATA

MBB C 3000 S	
Lifting capacity	3000 kg
Main beam	180 x 180 mm
Lifting gear hydraulics	2 x lift cylinder / 2 x tilt cylinder
Platform overlap with floor	- 72 mm
Lift arm pitch	1300 mm
Load centre - lengthwise	1000 mm
Load centre - across center	50 % of the full load on one side
Inclination angle of the platform	+90° to -10°

Some of the tail lifts pictured feature special customer-specific equipment. Country-specific regulations must be considered for the tail lift installation. Dimensions may vary. Subject to technical changes, errors & translation mistakes.



MBB V 500 LQ

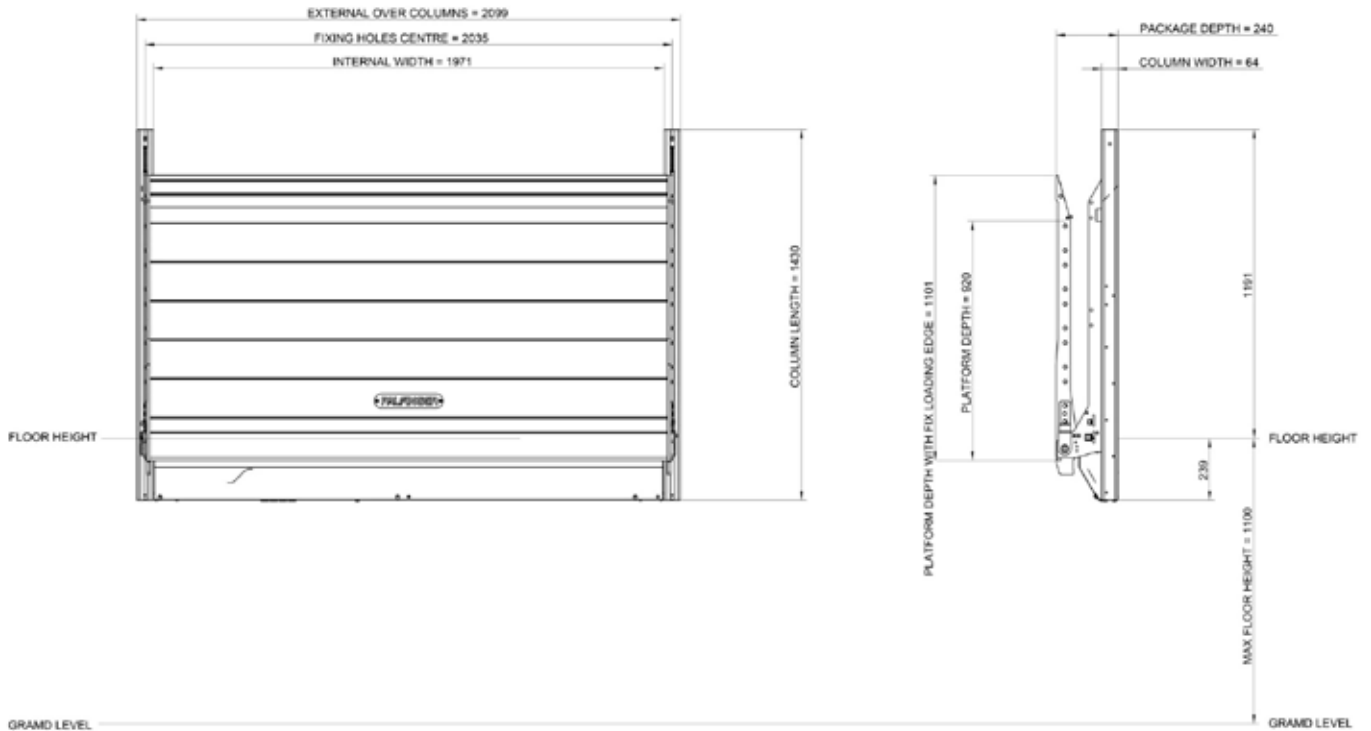
500 kg LIFTING CAPACITY
LIGHTWEIGHT



- 500 kg lifting capacity
- Easy and fast installation
- Strong chain
- Easy maintenance
- Different operations available

TECHNICAL INFORMATION

DIMENSIONS



TECHNICAL DATA

Model	V 500 LQ
Lifting capacity	500 kg
Column width (mm)	64
Width between columns (mm)	C/C-64
Maximum width over columns (mm)	C/C+64
Column centres - C/C (mm)	1955 / 1996 / 2036 / 2156
Maximum floor height (mm)	1100
Platform depths (mm)	770 / 920 / 1070 / 1220
Platform type	Aluminium
Weight (kg)	approx. 150

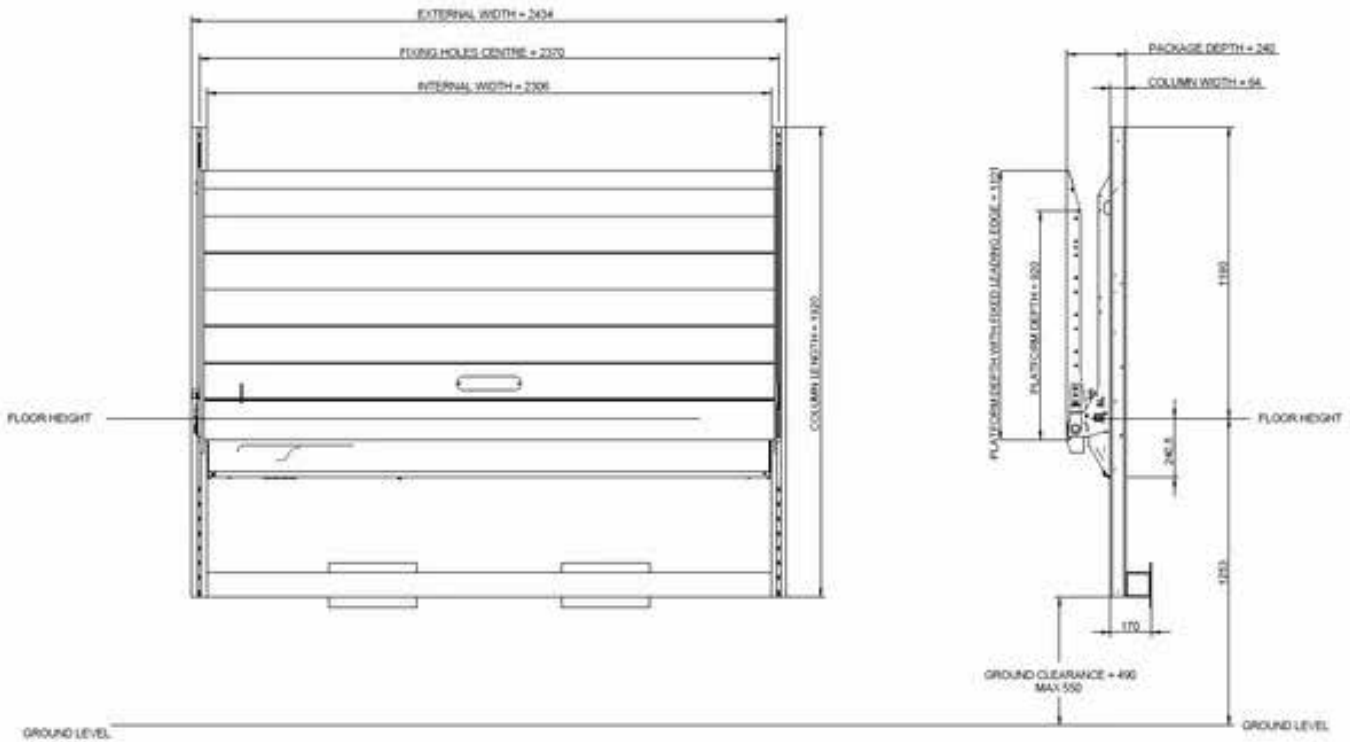
MBB V 1000 LQ

1000 kg LIFTING CAPACITY
LIGHTWEIGHT



- 1000 kg lifting capacity
- Easy and fast installation
- Strong chain
- Easy maintenance
- Different operations available

DIMENSIONS



TECHNICAL DATA

Model	V 1000 LQ
Lifting capacity	1000 kg
Column width (mm)	64
Width between columns (mm)	C/C-64
Maximum width over columns (mm)	C/C+64
Column centres - C/C (mm)	2220 / 2300 / 2350 / 2370 / 2420 / 2450 / 2470
Maximum floor height (mm)	1250
Platform depths (mm)	770 / 920 / 1070 / 1220 FLE / FLE_RS / RTFS
Platform type	Steel / Aluminium
Weight (kg)	approx. 300
Power closure version available	Yes
Flush side ramps available	Yes



PALFINGER

**RENOWNED
FOR QUALITY
AND INNOVATION
WORLDWIDE**

LIFETIME EXCELLENCE



TAIL LIFTS



PK HEAVY CRANES & PC COMPACT CRANES



HOOKLOADERS



TAILORED HANDLING EQUIPMENT



NATIONAL SERVICE NETWORK



LIFETIME EXCELLENCE is our promise. Delivering exceptional performance in the most delicate of situations, Palfinger provides economical, reliable and innovative lifting solutions supported by a national network of professional service partners - for the lifetime of the product.

0800 725 346 | PALFINGER.CO.NZ

PALFINGER NEW ZEALAND

Corner Langley & Mayo Roads,
Wiri, Auckland
& Service Partners Nationwide

