

PALFINGER

LIFETIME EXCELLENCE



PALFINGER HOOKLOADERS

NEW ZEALAND PRODUCT RANGE

PALFINGER HOOKLOADERS

PALFINGER Hooklifts is the most extensive brand of lifting equipment designed for movable containers. In this field, each application has its own requirement which has been fulfilled by PALFINGER during the last 40 years, all over the world.

We are committed to the highest quality and safety standards. State of the art industrial and quality organisation allows us to occupy a leading position in the global movable container industry.

User friendly units are state of the art designed to fit the most demanded application needs. Special coating and high-quality materials guarantee resistance and maximum usage even under tough conditions.

The functional design of our Hookloaders provides easy service and low maintenance. This ensures high value retention and best operation cost, under safe conditions. A worldwide service network, including supply of spare parts ensures fast and reliable service.

Efficiency

Efficiency means high product quality with exceptional returns

- Each truck one solution
- Service friendly design
- Spare parts availability
- Very short delivery time for specific equipment
- High resale value

Reliability

Reliability means technology that can withstand the harshest conditions

- Benefit from experience
- High tensile steel design
- Industrial organisation
- Close partnership with truck manufacturers

Innovation

Innovation means to make ground-breaking market-ready technology

- Pro Active Drive controls
- Maintenance free bushes
- Surface treated & certified accessories
- Approved bolted mounting





STRONG PERFORMANCE

LARGE AREA OF INDUSTRIES

Our wide range guarantees the highest vehicle usage for your applications.



Environment

- Recycling
- Scrap
- Refuse
- Garbage



Construction

- Building construction
- Civil engineering
- Material transport
- Carpentry



Agriculture

- Farming
- Harvesting
- Forestry

Public services

- Municipalities
- Fire brigades
- Road maintenance
- Motorway



Army & Organizations

- Logistics
- UN
- NGOs
- NATO



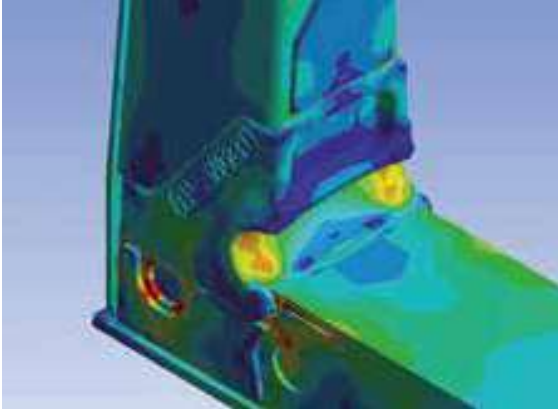
Craftsmen

- Gardening
- Bricklaying
- Waste collection
- Municipal services



PALFINGER HOOKLIFTS CENTRE OF EXCELLENCE

- Palfinger spare parts are easily accessible nationwide, through our service partner network.
- Over 45 years experience in Hookloaders
- A strong focus on after sales and service
- The widest equipment range



State of the art engineering

- Validation of new developments (finite elements calculation, test bench, field tests)



Best in class

- Full traceability of welding, assembling and control operations
- Certified: ISO 9001 Quality - ISO 14001 Environment - OHSAS 18001 Health and Safety - ISO 3834 Welding



After sales

- Spare parts easily available with a dedicated workshop
- Easy maintenance with a highly qualified staff and network



Service champion

- A nationwide network of professionals



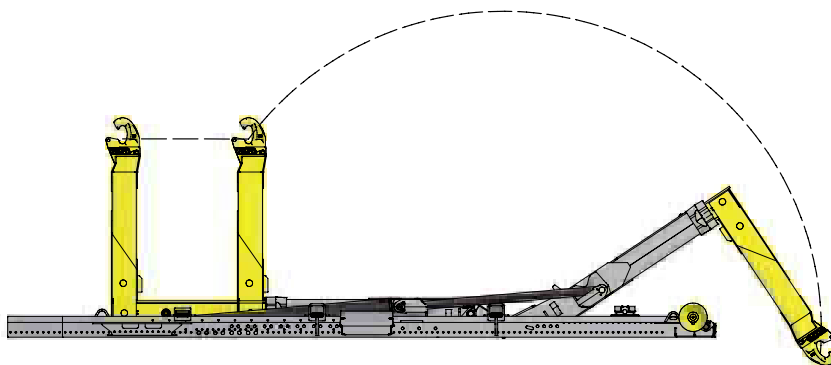
THE PALFINGER NZ HOOKLOADERS RANGE

THE NEW ZEALAND RANGE

Palfinger Hooloader Stocked Units (Full Range Available Ex Factory)



Series	Model	Equipment Length	Equipment Weight	Lifting capacity	Bin Length (min-max)	Page
Telescopic	T08	4600 mm	1140 kg	8 ton	3500mm – 5250mm	8
	T15	5600 mm	1670 kg	15 ton	4000mm – 6500mm	10
	T22	6000mm	2450 kg	22 ton	4400mm – 7000mm	12
	T26	6310 mm	2930 kg	26 ton	4750mm – 7500mm	14
	T30	6800 mm	3190 kg	30 ton	5200mm – 7800mm	16
Palcover	Tarping System					18

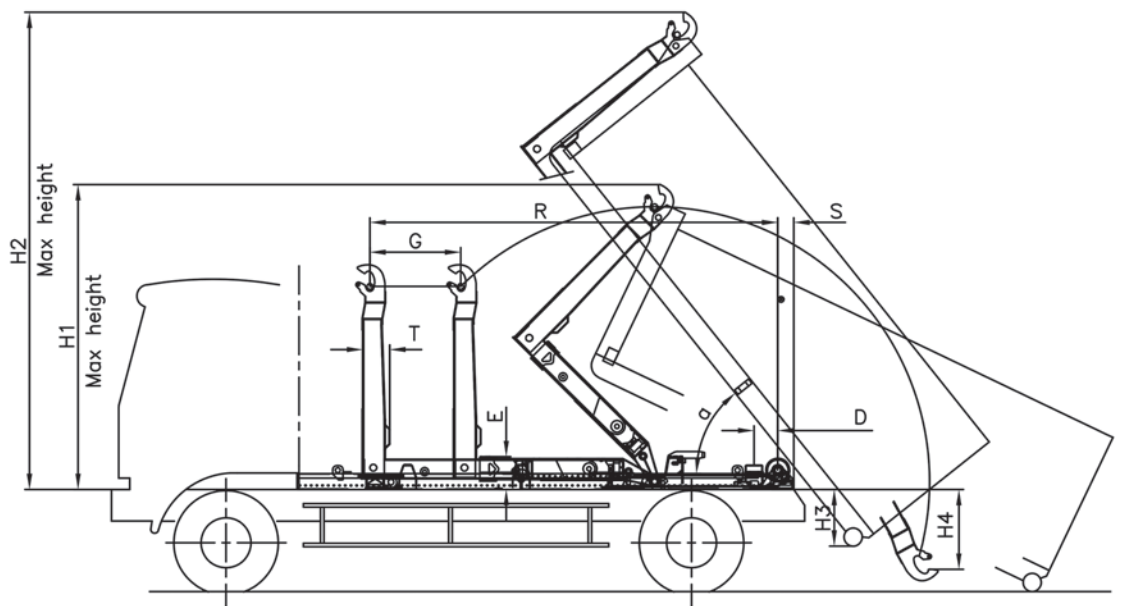
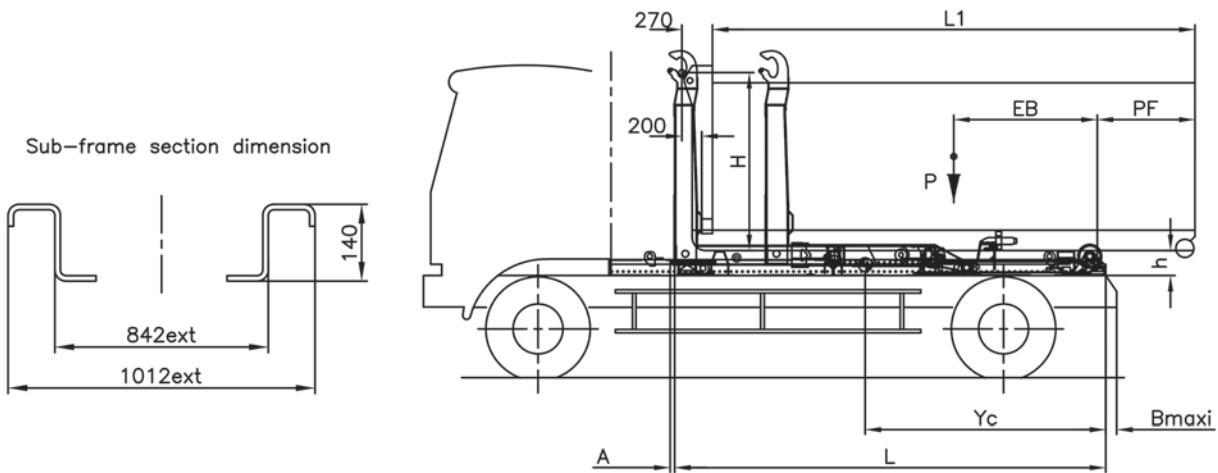


TELESCOPIC from 5 to 30 tons

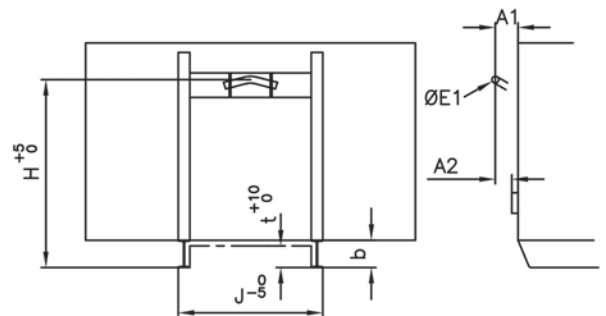


T08 TELESCOPIC HOOKLOADER

TECHNICAL DATA SHEET



Hook height	H(mm)	1425
Cradle external width	J(mm)	1060
Cradle height	b(mm)	180/200
Tunnel clearance	t(mm)	150
Ring offset (to wall)	A1(mm)	270
Ring offset (to cross bar)	A2(mm)	200
Ring diameter	E1(mm)	50/60



Note: Specifications are only given for guidance. This document is not contractual. According to technical development of its products, PAS reserves the right for itself to change the above specifications without previous notice.



T08 TELESCOPIC HOOKLOADER

TECHNICAL DATA SHEET

Container

Hook height : 1425
Chassis height : 1000

REFERENCE	Equipment Length	EB
T8_PI-SZ_01_L4600	4600	1563

MAXI Arm out	
L1 maxi *	PF
5250	1062

MINI* Arm in		MINI AV** Arm out	
L1 mini *	PF	L1 mini *	EB
3500	315	4500	1938

* These dimensions must be confirmed by the vehicle load distribution

** Unit with rear hydraulic locking

Equipment

REFERENCE	Equipment Length	Hook to pulley	Equipment size				tipping angle	Front exceeding
			L	R	T	D		
T8_PI-SZ_01_L4600	4600	4393	238	335	140	1003	49°	0

Height

REFERENCE	Equipment Length	Load-Unload	Tipping	Under cradle	Container tipping	Unhooking	Hinge height
	L	H1	H2	h	H3	H4	E
T8_PI-SZ_01_L4600	4600	2912	4766	220	-617	-725	289

Equipment on Truck

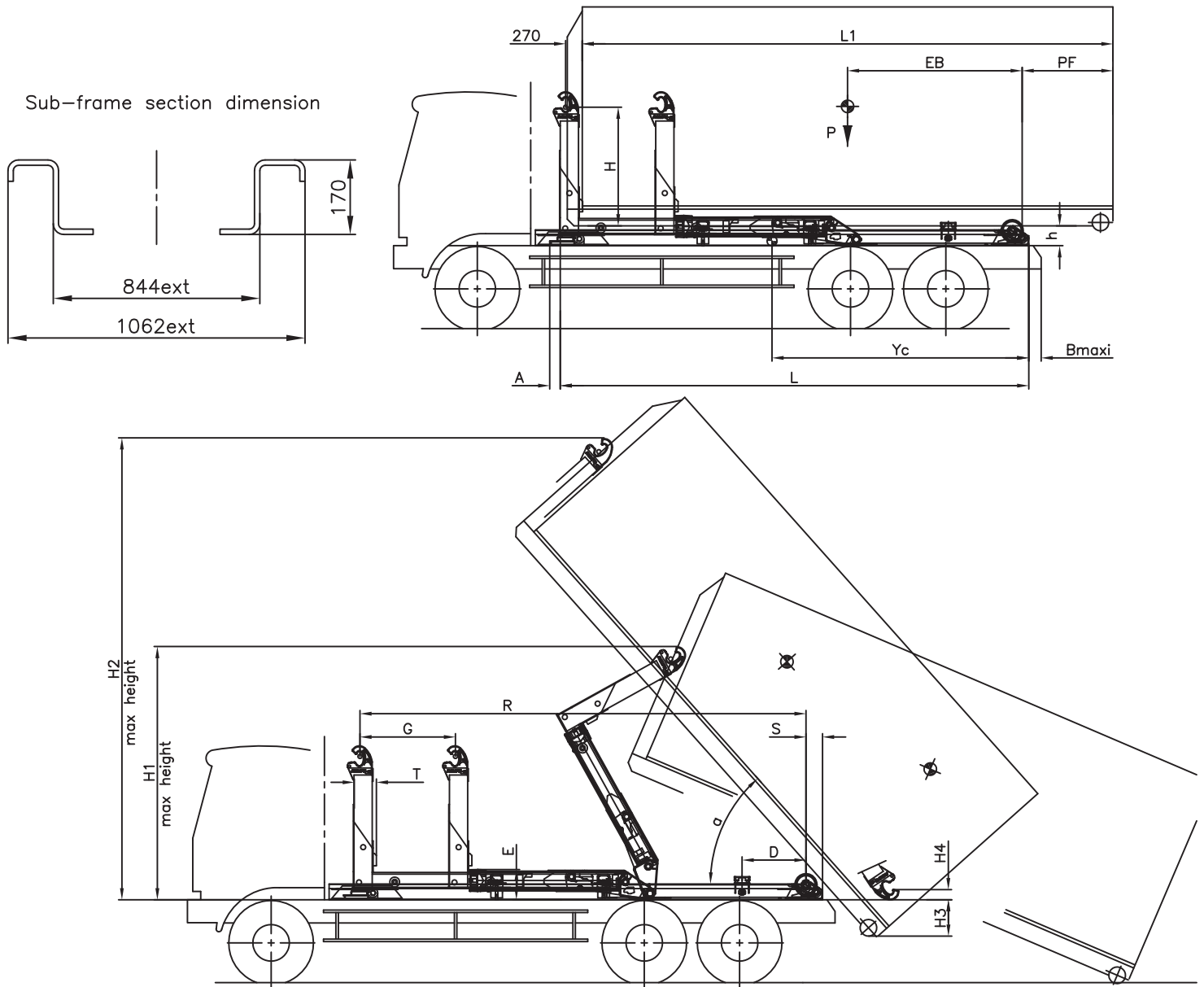
REFERENCE	Equipment Length	Rated load	Recomanded GWV truck	CdG equipment	Equipment weight	
	L	P	PTC / GWV	Yc	(Kg)	B max
T8_PI-SZ_01_L4600	4600	8 T	10T to 12T	2500	1140	170

Note: Specifications are only given for guidance. This document is not contractual. According to technical development of its products, PAS reserves the right for itself to change the above specifications without previous notice.



T15 TELESCOPIC HOOKLOADER

TECHNICAL DATA SHEET



Hook height	H(mm)	1425
Cradle external width	J(mm)	1065
Cradle height	b(mm)	180/200
Tunnel clearance	t(mm)	150
Ring offset	A(mm)	270
Ring diameter	E(mm)	50

Note: Specifications are only given for guidance. This document is not contractual. According to technical development of its products, PAS reserves the right for itself to change the above specifications without previous notice.



T15 TELESCOPIC HOOKLOADER

TECHNICAL DATA SHEET

Container

Hook height : 1425
Chassis height : 1000

REFERENCE	Equipment Length	EB
T15_PI-SZ_01_L5600	5600	1915

MAXI Arm out	
L1 maxi *	PF
6500	1335

MINI* Arm in		MINI AV** Arm out	
L1 mini *	PF	L1 mini *	EB
4000	138	5500	2415

* These dimensions must be confirmed by the vehicle load distribution

** Unit with rear hydraulic locking

Equipment

REFERENCE	Equipment Length	Hook to pulley	Equipment size				tipping angle	Front exceeding
			T	D	S	G		
T15_PI-SZ_01_L5060	5600	5335	266	800	175	1303	47°	0

Height

REFERENCE	Equipment Length	Load-Unload	Tipping	Under cradle	Container tipping	Unhooking	Hinge height
	L	H1	H2	h	H3	H4	E
T15_PI-SZ_01_L5600	5600	3165	5445	220	-804	98	340

Equipment on Truck

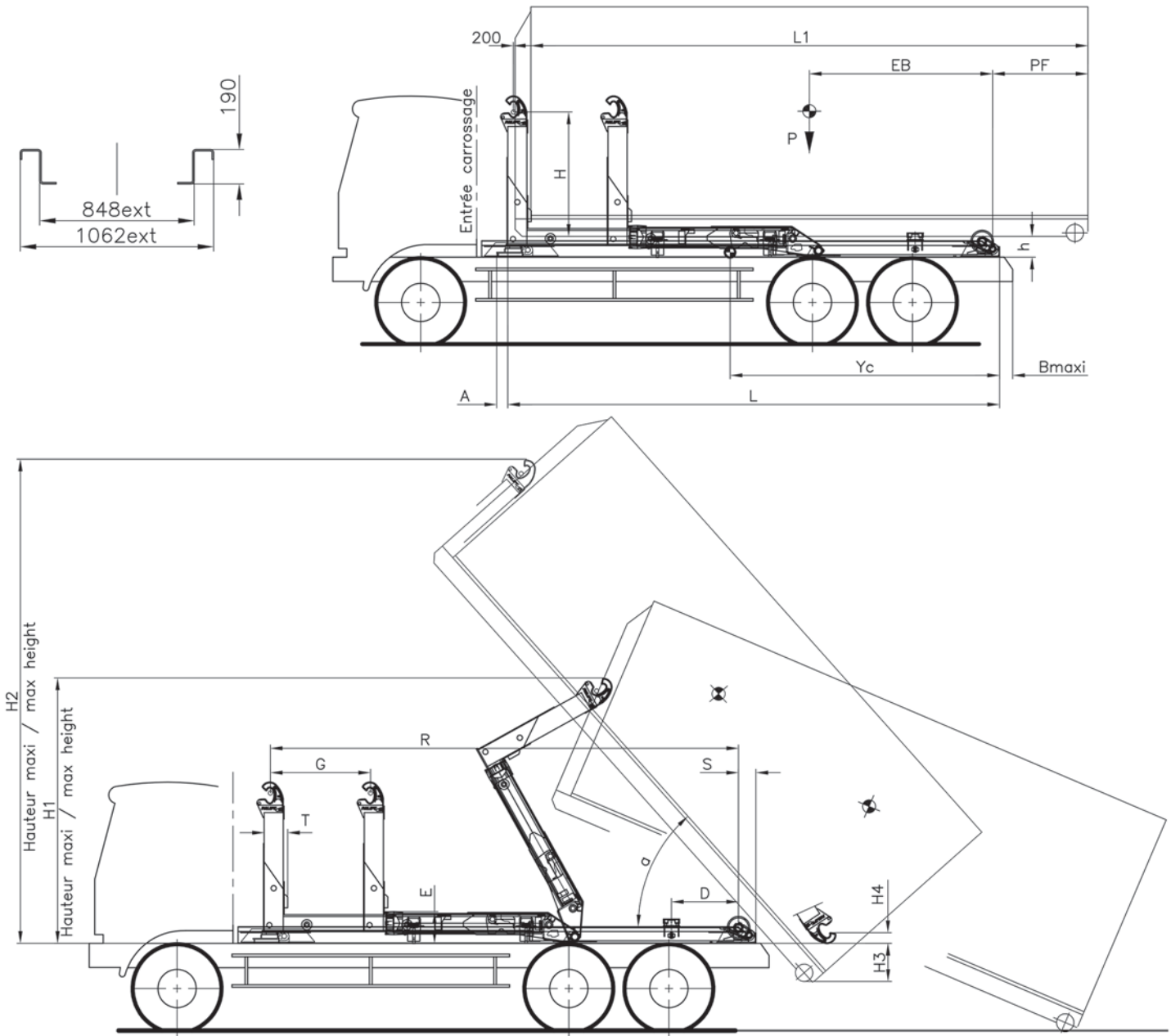
REFERENCE	Equipment Length	Rated load	Recommended GVW truck	CdG equipment	equipment weight	
	L	P	GVW	Yc	(Kg)	B max
T15_PI-SZ_01_L5600	5600	15 T	16T to 20T	2900	1670	180

Note: Specifications are only given for guidance. This document is not contractual. According to technical development of its products, PAS reserves the right for itself to change the above specifications without previous notice.

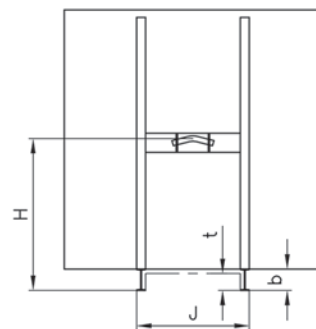


T22 TELESCOPIC HOOKLOADER

TECHNICAL DATA SHEET



Hauteur d'anneau / Hook height	H(mm)	1425
Largeur de berce / Cradle external width	J(mm)	1060
Hauteur de berce / Cradle height	b(mm)	180/200
Hauteur du tunnel / Tunnel height	t(mm)	140



Note: Specifications are only given for guidance. This document is not contractual. According to technical development of its products, PAS reserves the right for itself to change the above specifications without previous notice.



T22 TELESCOPIC HOOKLOADER

TECHNICAL DATA SHEET

Benne/Container Haut. d'anneau /Hook height : 1425
Haut. de châssis /Chassis height : 1100

REFERENCE	Long./length Eqipt.	Entr'axe base
T22_02_L6000	6000	2155

MAXI	
Bras sorti / Arm out	
L1 maxi *	Porte à faux bascul./tipping overhang
7000	1345

MINI*		MINI AV**	
Bras rentré / Arm in		Bras sorti / Arm out	
L1 mini *	Porte à faux bascul./tipping overhang	L1 mini *	Entr'axe base
4400	96	5800	2755

* sous réserve de vérification de la répartition des charges en fonction du véhicule / These dimensions must be confirmed by the vehicle load distribution

** Equipement avec verrouillage hydraulique arrière / Unit with rear hydraulic locking

Equipement/Equipment

REFERENCE	Long./length Eqipt.	Crochet à Poulie/hook to pulley	Cotes de l'appareil / Equipment size				Angle bascul. / tipping angle	Dépassement Av. / front exceeding		
T22_02_L6000	6000	5735	270	770	200	1351	48°	0		

Hauteurs/Height

REFERENCE	Long./length Eqipt.	Pose- Dépose/Load- Unload	Bennage / Tipping	Ordre de route/under cradle	Benne basculée/contai- ner tipping	Décrochage / Unhooking				
	L.	H1	H2	h	H3	H4	E			
T22_02_L6000	6000	3227	5712	240	-813	84	365			

Equipement sur véhicule/Equipment on vehicle

REFERENCE	Long./length Eqipt.	Charge nominale / rated load	Véhicule / Vehicle	Charge maxi Essieu Ar./Rear axle max load	CdG équipement/CdG equipment	Poids équipement / equipment weight				
	L.	P	PTC / GVW		Yc	(Kg)	B max			
	6000	22T	26/28T	21T	3100	2450	190			

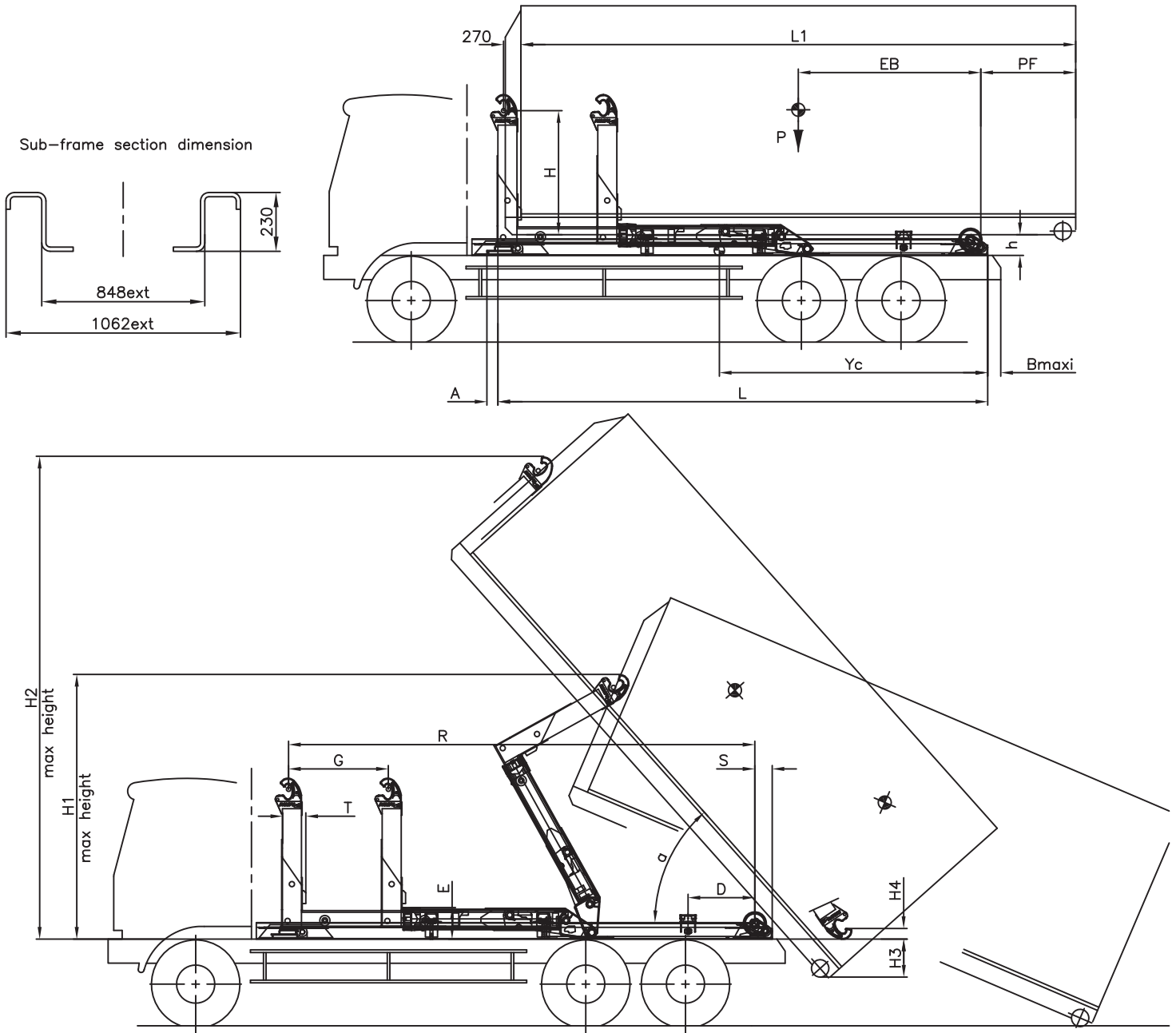
Note: Specifications are only given for guidance. This document is not contractual. According to technical development of its products, PAS reserves the right for itself to change the above specifications without previous notice.



PALFINGER
NEW ZEALAND

T26 TELESCOPIC HOOKLOADER

TECHNICAL DATA SHEET



Hook height	H(mm)	1425
Cradle external width	J(mm)	1060
Cradle height	b(mm)	180/200
Tunnel clearance	t(mm)	150
Ring offset	A1(mm)	270
Ring diameter	E1(mm)	50/60

Note: Specifications are only given for guidance. This document is not contractual. According to technical development of its products, PAS reserves the right for itself to change the above specifications without previous notice.



T26 TELESCOPIC HOOKLOADER

TECHNICAL DATA SHEET

Container

Hook height : 1425
Chassis height : 1150

MAXI Arm out	
L1 maxi *	PF
7500	1640

MINI* Arm in		MINI AV** Arm out	
L1 mini *	PF	L1 mini *	EB
4750	241	6000	2860

REFERENCE	Equipment Length	EB
T26_PI-SZ_01_L6310	6310	2110

* These dimensions must be confirmed by the vehicle load distribution

** Unit with rear hydraulic locking

Equipment

REFERENCE	Equipment Length	Hook to pulley		Equipment size				tipping angle	Front exceeding
		L	R	T	D	S	G	a	A
T26_PI-SZ_01_L6310	6310	6010		270	920	210	1351	48°	0

Height

REFERENCE	Equipment Length	Load-Unload	Tipping	Under cradle	Container tipping	Unhooking	hinge height
	L	H1	H2	h	H3	H4	E
T26_PI-SZ_01_L6310	6310	3434	6005	280	-991	114	401

Equipment on vehicle

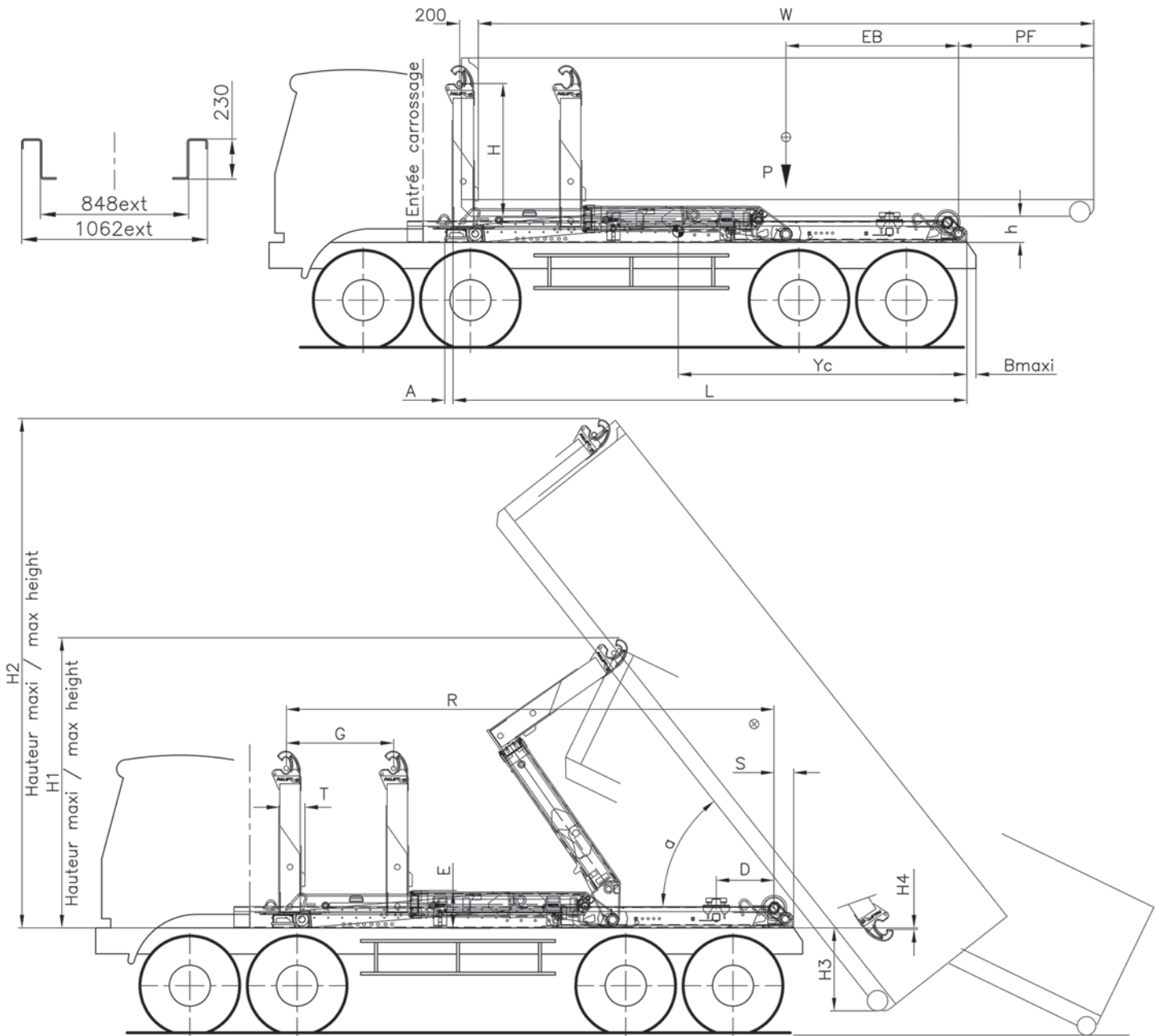
REFERENCE	Equipment Length	Rated load	Recommended GVW truck	CdG equipment	equipment weight	
	L	P	GVW	Yc	(Kg)	B max
T26_PI-SZ_01_L6310	6310	26 T	32T to 40T	3255	2930	240

Note: Specifications are only given for guidance. This document is not contractual. According to technical development of its products, PAS reserves the right for itself to change the above specifications without previous notice.

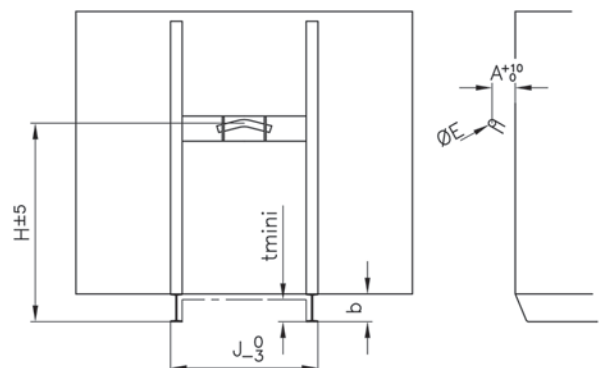


T30 TELESCOPIC HOOKLOADER

TECHNICAL DATA SHEET



Hauteur d'anneau / Hook height	H(mm)	1425
Largeur de berce / Cradle external width	J(mm)	1060
Hauteur de berce / Cradle height	b(mm)	180/200
Hauteur du tunnel / Tunnel clearance	t(mm)	180
Déport d'anneau / ring offset	A(mm)	200
Diamètre de l'anneau / ring diameter	E(mm)	50/60



Note: Specifications are only given for guidance. This document is not contractual. According to technical development of its products, PAS reserves the right for itself to change the above specifications without previous notice.



PALFINGER
NEW ZEALAND

T30 TELESCOPIC HOOKLOADER

TECHNICAL DATA SHEET

Benne/Container Haut. d'anneau /Hook height : 1425
Haut. de châssis /Chassis height : 1150

REFERENCE	Long./length Eqipt.	Entr'axe base
T30_02_L6800	6800	2508

MAXI	
Bras sorti / Arm out	
L1 maxi *	Porte à faux bascul./tipping overhang
7800	1392

MINI*		MINI AV**	
Bras rentré / Arm in		Bras sorti / Arm out	
L1 mini *	Porte à faux bascul./tipping overhang	L1 mini *	Entr'axe base
5200	293	6600	3108

* sous réserve de vérification de la répartition des charges en fonction du véhicule / These dimensions must be confirmed by the vehicle load distribution

** Equipement avec verrouillage hydraulique arrière / Unit with rear hydraulic locking

Equipement/Equipment

REFERENCE	Long./length Eqipt.	Crochet à Poules/hook to pulley	Cotes de l'appareil / Equipment size				Angle bascul. / tipping angle	Dépassement Av. / front exceeding		
			T	D	S	G				
T30_02_L6800	6800	6488	305	1020	210	1501	52°	100		

Hauteurs/Height

REFERENCE	Long./length Eqipt.	Pose- Dépose/Load- Unload	Bennage / Tipping	Ordre de route/under cradle	Benne basculée/contai- ner tipping	Décrochage / Unhooking				
	L	H1	H2	h	H3	H4	E			
T30_02_L6800	6800	3511	6494	280	-888	127	390			

Equipement sur véhicule/Equipment on vehicle

REFERENCE	Long./length Eqipt.	Charge nominale / rated load	Véhicule / Vehicle	Charge maxi Essieu Ar./Rear axle max load	CdG équipement/CdG equipment	Poids équipement / equipment weight				
	L	P	PTC / GVW		Yc	(Kg)	B max			
	6800	30 T	40T	21T	3500	3190	210			

Note: Specifications are only given for guidance. This document is not contractual. According to technical development of its products, PAS reserves the right for itself to change the above specifications without previous notice.



PALCOVER

EASY, FAST AND SAFE SHEETING OF CONTAINERS



THE HIGHEST

The maximum height of 5.5m makes the tarp operation very convenient and limits the risk of collision with overfilled loads.

During transport, the PALCOVER sits neatly behind the cab.



LIFETIME

Tower sliding system with no need for maintenance or greasing.

The innovative surface treatment offers excellent corrosion protection.



SAFETY

All operations are carried out safely from the ground without the need to manipulate heavy or large loads.

The external buzzer informs the driver when the PALCOVER is not in transport position.



DIFFERENT TARPS

The tarp made of polyethersulfone combines flexibility and wear-resistance.

Several models exist, with or without flaps, to fit perfectly to your requirements.



SERVICE ORIENTED DESIGN

All parts are easily accessible.

The tarp replacement is quickly done with everyday tools.



PALFINGER
NEW ZEALAND

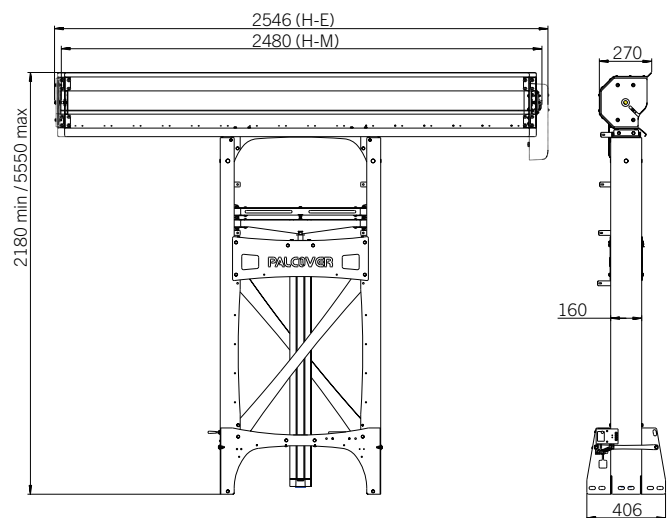
PALCOVER H-E



- Electric Roll-In/Roll-out
- Radio Remote Controlled
- Controlled and effortless tarp movement
- Reliable spooling in all conditions

TECHNICAL DATA

Container length min.	5000 mm
Container length max.	7250 mm
Weight	220 kg
Operation pressure	8 bars
Power supply	24V – 30A



LOOKING FOR YOUR NEEDS



Longevity

- Longevity and robustness due to casted parts (such as hook, locking hooks, rear pivots, hinge supports, ...)
- Increased product lifetime; increased resale value

POP – Palfinger Origin Protection

- Increased lifetime: Before assembling the main components are sand-blasted, degreased, primer painted and electro statically final coated (according to customer specification)
All other parts are anticorrosion treated
- According ISO 12944 Class 3–15 years



Customer oriented design

- Low maintenance : Threads in the pins for easy removal, greasing free sliding parts ...
- Safety is a major focus of our developments (life time cycles tests, FEM calculations, risk analyses ...)

Optimized speeds

- BI SPEED: low speed to easily catch the container bar
- RAPID MOTION reduces cycle time by increasing the hookloader speed, (for use with empty container or without container)



PALFINGER
NEW ZEALAND



Cab control

- Ergonomic and intuitive. All check lights are on the control
- Magnetic fastening and thin cable facilitate the cab control manipulation



Wide choice of options

- Front hydraulic locking, pneumatic safety latch, rear lifting device...
- Axle stabilizers, Underride protection



Soft Stop

- Soft landing after loading & tipping
- Saves the truck, the hookloader and the container from shocks & reduces noise



One for each

- A solution for each application
- On demand developments to fulfil your specific needs



Easy Drive

Compact and easy to use

With its simple and robust compact single-block design, the Easy Drive control enables the steering of the essential functions of the hookloader. It is ideal for users who are seeking simplicity or for fleets in which drivers are regularly required to change.



PAD

Classic control with display for clear information in real time

The PAD control combines an ergonomic bi-speed joystick and switches with indicator lights in a single control. It is equipped with the hour counter of the emergency mode and indicates incorrect manoeuvres via an error code on its display.



PK HEAVY CRANES &
PC COMPACT CRANES



HOOKLOADERS



TAILORED HANDLING
EQUIPMENT



NATIONAL SERVICE
NETWORK



LIFETIME EXCELLENCE

LIFETIME EXCELLENCE is our promise. Delivering exceptional performance in the most delicate of situations, Palfinger provides economical, reliable and innovative lifting solutions supported by a national network of professional service partners - for the lifetime of the product.

0800 725 346 | [PALFINGER.CO.NZ](https://www.palfinger.co.nz)

PALFINGER NEW ZEALAND

Corner Langley & Mayo Roads,
Wiri, Auckland
& Service Partners Nationwide